



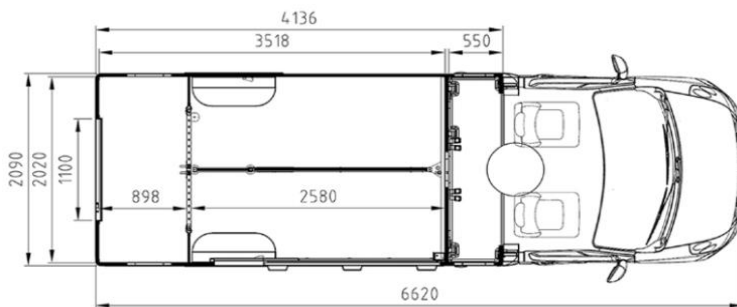
Seeing the world through horses' eyes

# PARAGAN HORSEBOXES



Order no. **24K009**  
VIN No: **VF1VA000471676442**  
Color: **Gold**

## **C** Model: **EXCELSION 5XL** **FREE STAND**



PLATFORM	PRICE	WEIGHT (KG)
Renault Master - Motor 2,3 dCi 165 HP, manual gearbox	60 646 EUR	2 470,0

### STANDARD CONFIGURATION

Driver's airbag, ABS, EBV, ESP, ASR, Adhesive kit for flat tire repair, Front door electric windows, Door locking function when starting, Immobilizer, Central locking system with remote control in car's key, Uphill start assistant, System Start & Stop, 20 liters AdBlue plastic tank, 80 liters fuel tank, Fabric seat upholstery, Height and reach adjustable driver's seat with armrest and lumbar support, Separate passenger seat with lumbar support, Manual air-conditioning including pollen filter, Cruise control + speed limiter, Day lightning LED, Fog lights, **Radio DAB+ MediaNavi incl. GPS Tom Tom live**, USB, 4 wheel mud flaps, 2 electrically operated mirrors with heating and integrated turn signal lights, Pull-out glove box 10,5 l, Air-conditioned storage box, Central storage with induction charger, Automatic wipers with rain sensor, Mandatory vehicle equipment.

Comfort: Sleeping space for up to 4 people, Upholstered cabin with hooks, Extra cabin light, USB charger, Storage space under the bench in cabin, 2 fixed windows next to the bench, One key body locking, Rear spoiler with breaking light and two position lights, Cleaning hole in horse area and saddle area, 4 rings in saddle area.

Horse area ventilation: Sliding windows, Roof hatch 2x, 12V Roof ventilator with day and night blue LED light (drivers' cabin operated), Thermometer with temperature indicator in drivers' cabin.

Horses' safety: Loading light above horses, 4 tie rings in horse area, Anti-skid rubber on ramp, Mossy rubber floor (lightweight), Reinforced kick walls, Reinforced safety wheel covers, Sliding and removable partition between horses, Padding on walls, partition. Safety chain, Safety

HORSE AREA	PRICE	WEIGHT (KG)
HA3 Free stand	5 142 EUR	39,0

OPTIONS		
<b>Windows</b>		
W01 Sliding window on left side of superstructure	228 EUR	3,3
W02 Sliding window with bars between cabin and horse space	193 EUR	2,7
<b>Facilities</b>		
F09 Tow bar 1.920 kg + 13 pin plug	1 653 EUR	42,0
<b>Saddle Area</b>		
<i>not defined yet - possibility to add options according to customer needs</i>		3,0
<b>Comfort</b>		
C02 Door under the bench, 1 pc	204 EUR	2,0
C04 Camera system: LCD monitor + reversing camera + surveillance camera	1 203 EUR	6,5
C07 Easy entry step to the saddle area	172 EUR	5,0
<b>Rear Lights</b>		
RL2 Rear LED lights SHAPE	448 EUR	-0,4

Proposal date: 03.04.2024

**DESIGN**

	<b>Paintwork</b>		
P01	Whole car painting - color card (incl. plastic parts) - <b>Gold</b>	4 453 EUR	18,0
	<b>Stickers</b>		
	<i>not defined yet - possibility to add options according to customer needs</i>		0
	<b>Wheels</b>		
WH1	AL wheels black, 4 pcs	793 EUR	-12,0
	<b>Cabin</b>		
	<i>not defined yet - possibility to add options according to customer needs</i>		2,0
<b>TOTAL</b>		<b>75 135 EUR</b>	<b>2 581</b>

Customer Signature:

